

EVOX 12

ACTIVE TWO-WAY ARRAY

DESCRIPTION

EVOX 12 is the most powerful line-source in its class and offers a particularly profound and dynamic reproduction at high levels due to the built-in 1400W power amplifier. The top section has eight high performance neodymium 4" full-range transducers with a phase plug. As a result, the EVOX 12 has a significantly increased low-mid playback at a constant level with a wide dispersion for the highs. The 15" subwoofer delivers powerful bass sound to reinforce a big party or the kick drum of a live band. Despite high performance, the enclosure is very compact, and thanks to integrated wheels and extendable handle very easy to transport.



FEATURES

- 1400 Watt
- 130 dB max SPL
- 40 Hz 20 kHz frequency response
- 15" Woofer
- 8 x 4" neodymium full-range woofer
- 90° x 30° slightly tilted pattern control
- Innovative DSP processing
- Pole mountable, easy set-up and transportation

TECHNICAL SPECIFICATIONS

Acoustical specifications	Frequency Response:	40 Hz ÷ 20000 Hz
	Max SPL @ 1m:	130 dB
	Horizontal coverage angle:	90°
	Vertical coverage angle:	30°
Transducers	Fullrange:	8 x 4.0", 1.0" v.c
	Woofers:	15", 3.0" v.c
Input/Output section	Input signal:	bal/unbal
	Input connectors:	XLR, Jack
	Output connectors:	XLR
	Input sensitivity:	-2 dBu/+4 dBu
Processor section	Crossover Frequencies:	180 Hz
	Protections:	Thermal, RMS
	Limiter:	Soft Limiter
	Controls:	Volume, EQ
Power section	Total Power:	1400 W Peak, 700 W RMS
	High frequencies:	400 W Peak, 200 W RMS
	Low frequencies:	1000 W Peak, 500 W RMS
	Cooling:	Convection
	Connections:	VDE
Standard compliance	CE marking:	Yes
Physical specifications	Cabinet/Case Material:	Baltic birch plywood
	Color:	Black
Size	Height:	2200 mm / 86.61 inches
	Width:	410 mm / 16.14 inches
	Depth:	560 mm / 22.05 inches
	Weight:	36.4 kg / 80.25 lbs
Shipping informations	Package Weight:	43.89 kg / 96.76 lbs

PART NUMBER

- **13000482**

EVOX 12

115V

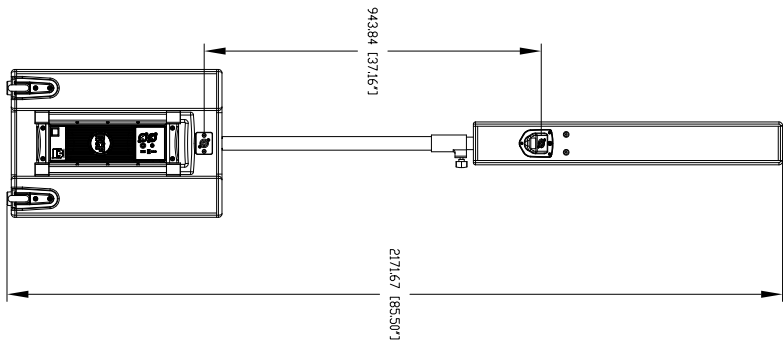
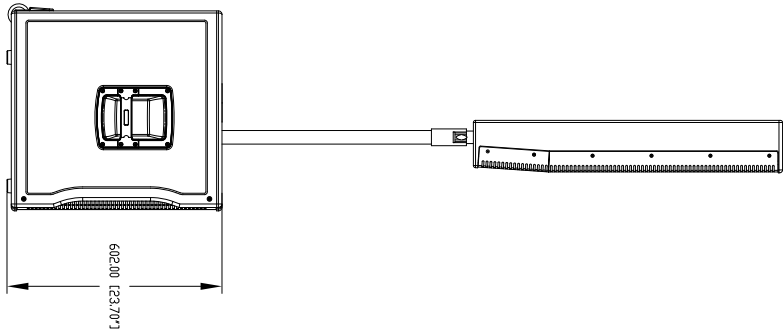
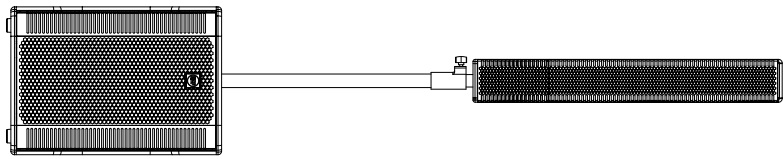
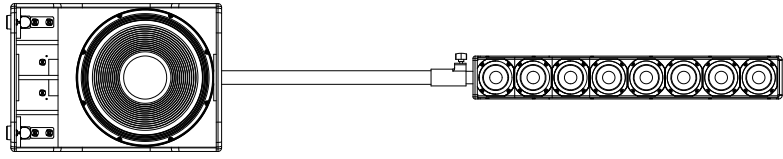
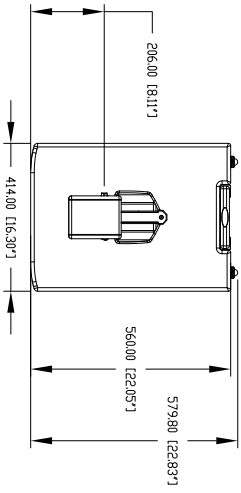
EAN 8024530013370

- **13000481**

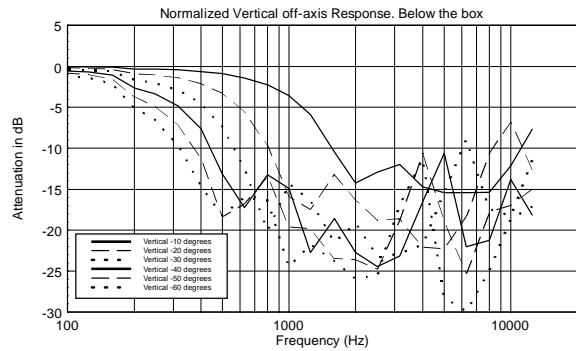
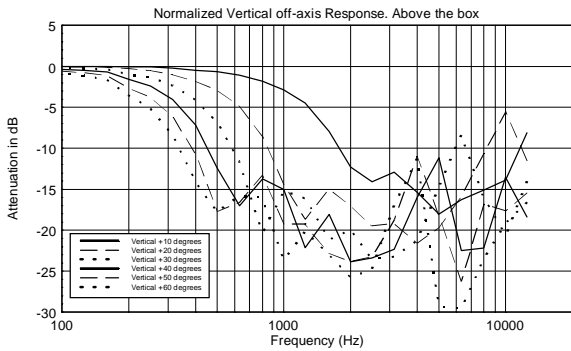
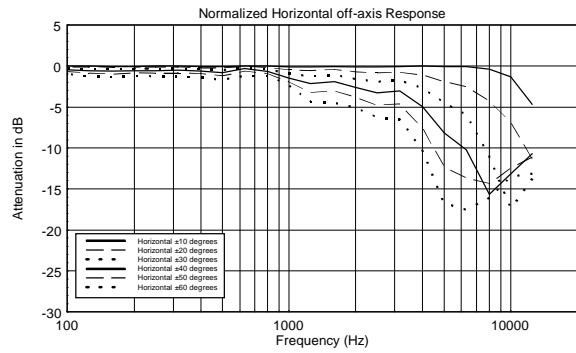
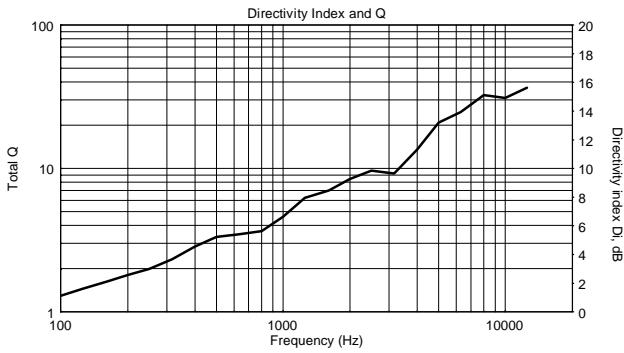
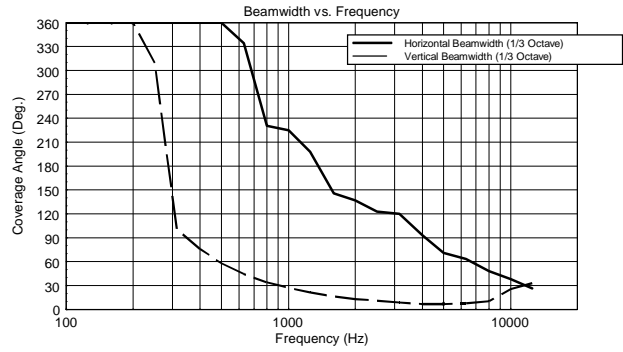
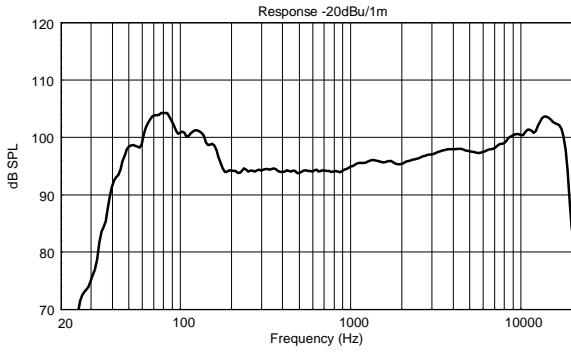
EVOX 12

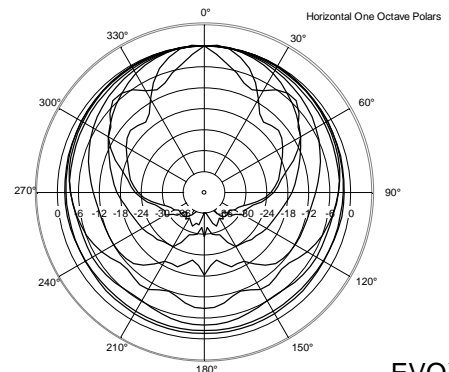
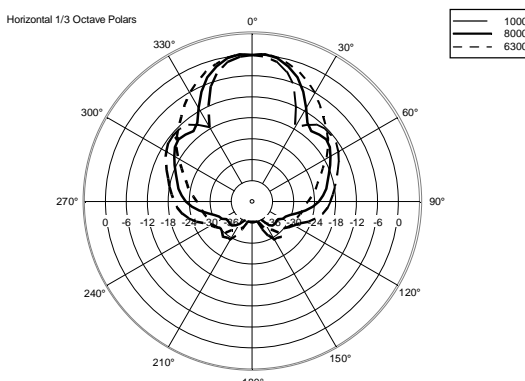
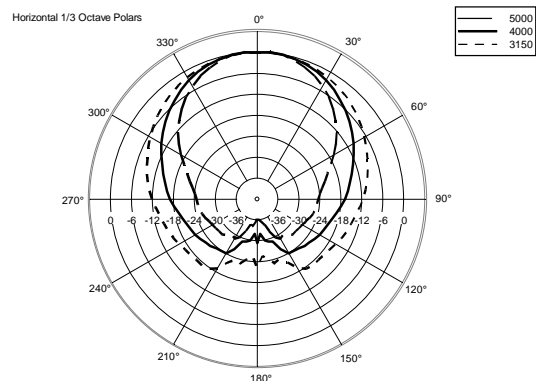
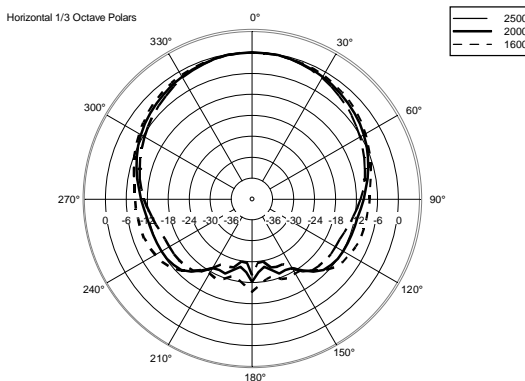
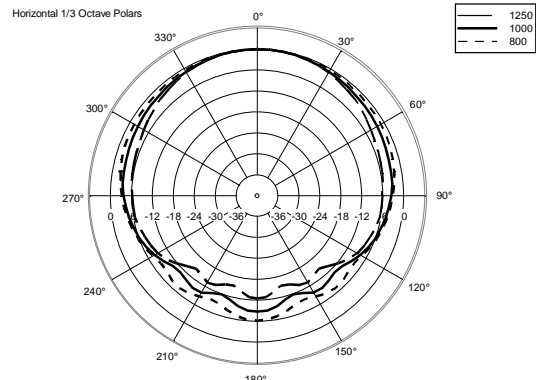
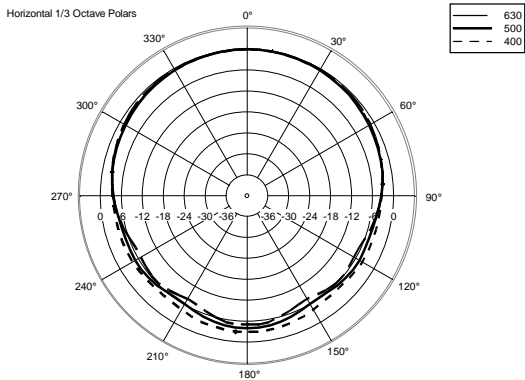
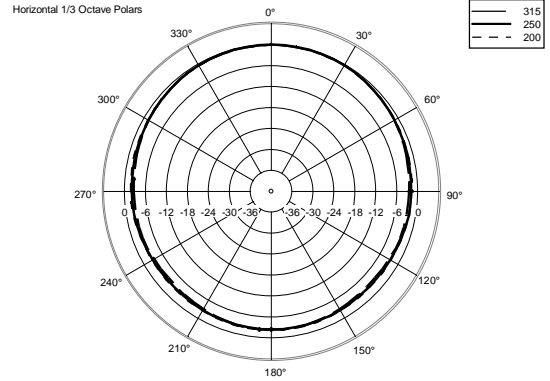
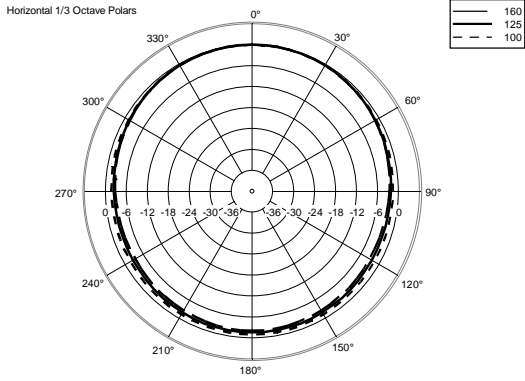
220-240V

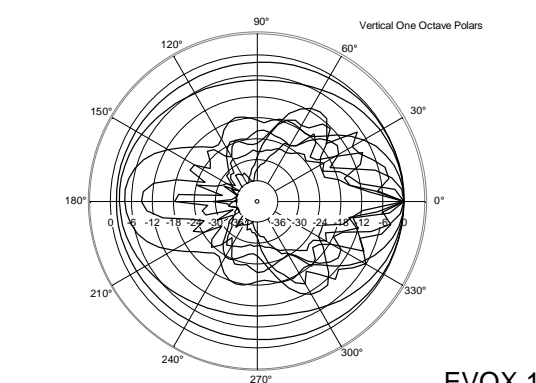
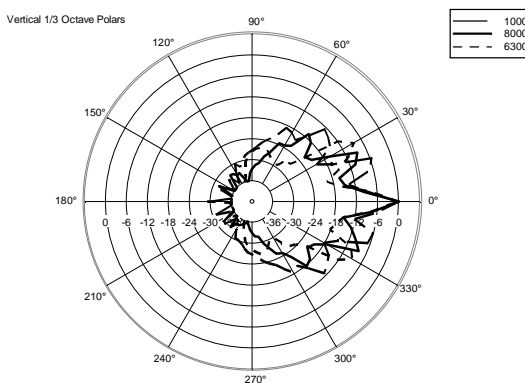
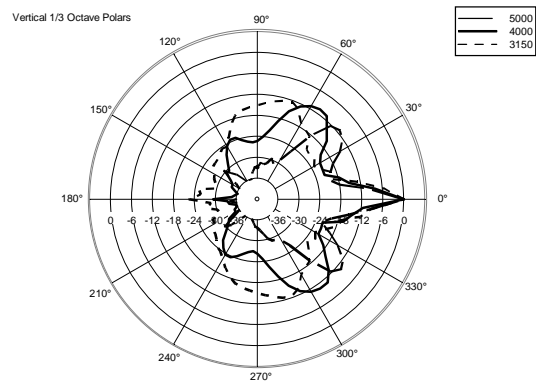
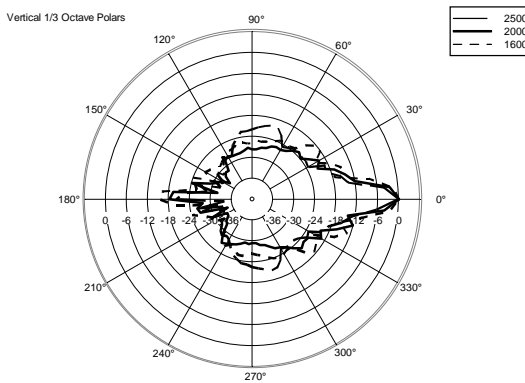
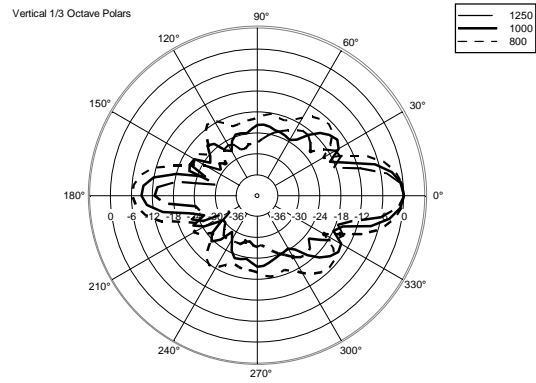
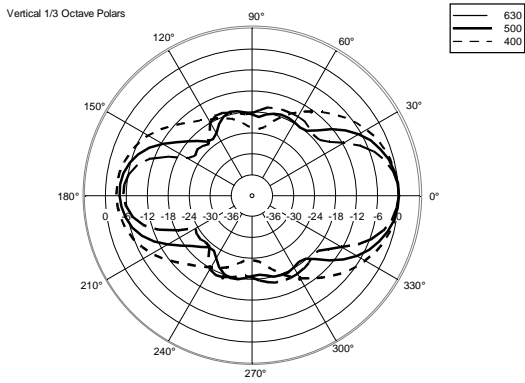
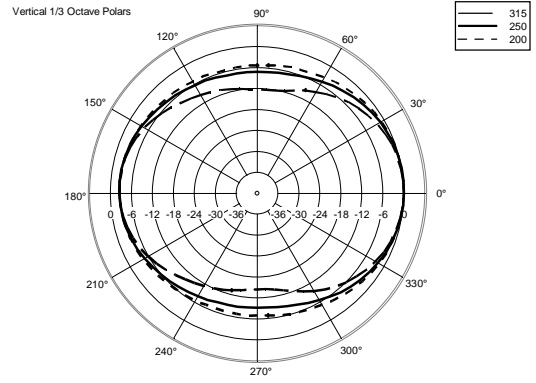
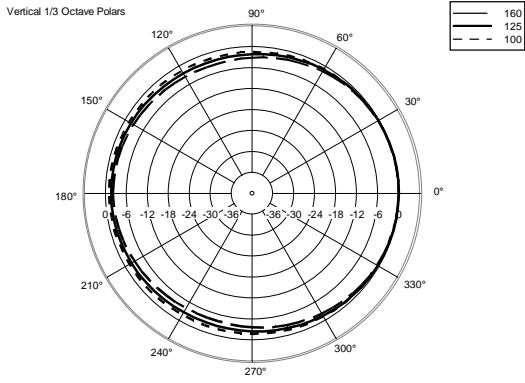
EAN 8024530013196



EVDX 12







ACCESSORIES



AC XLR-3M3F XLR CONN. 3MALE3FEMALEXCABLE

PART NUMBER **13360102**
EAN: 8024530006402



COVER CVR EVOX 12

PART NUMBER **13360324**
EAN: 8024530013189
